

Diesel Hammers

- History
- Single Acting
- Double Acting

Single Acting



Diesel Hammers



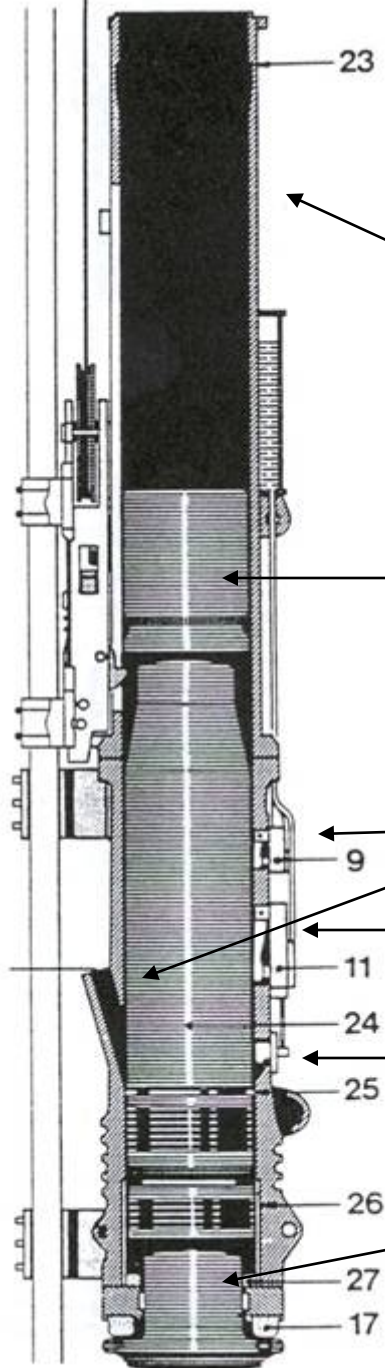
Diesel Hammer Replaces Air Hammers

Advantages:

- Light Weight
- Better Fuel Economy
- Higher Energy
- Ease of Use



A closer look:



Upper cylinder

Upper piston

Exhaust port

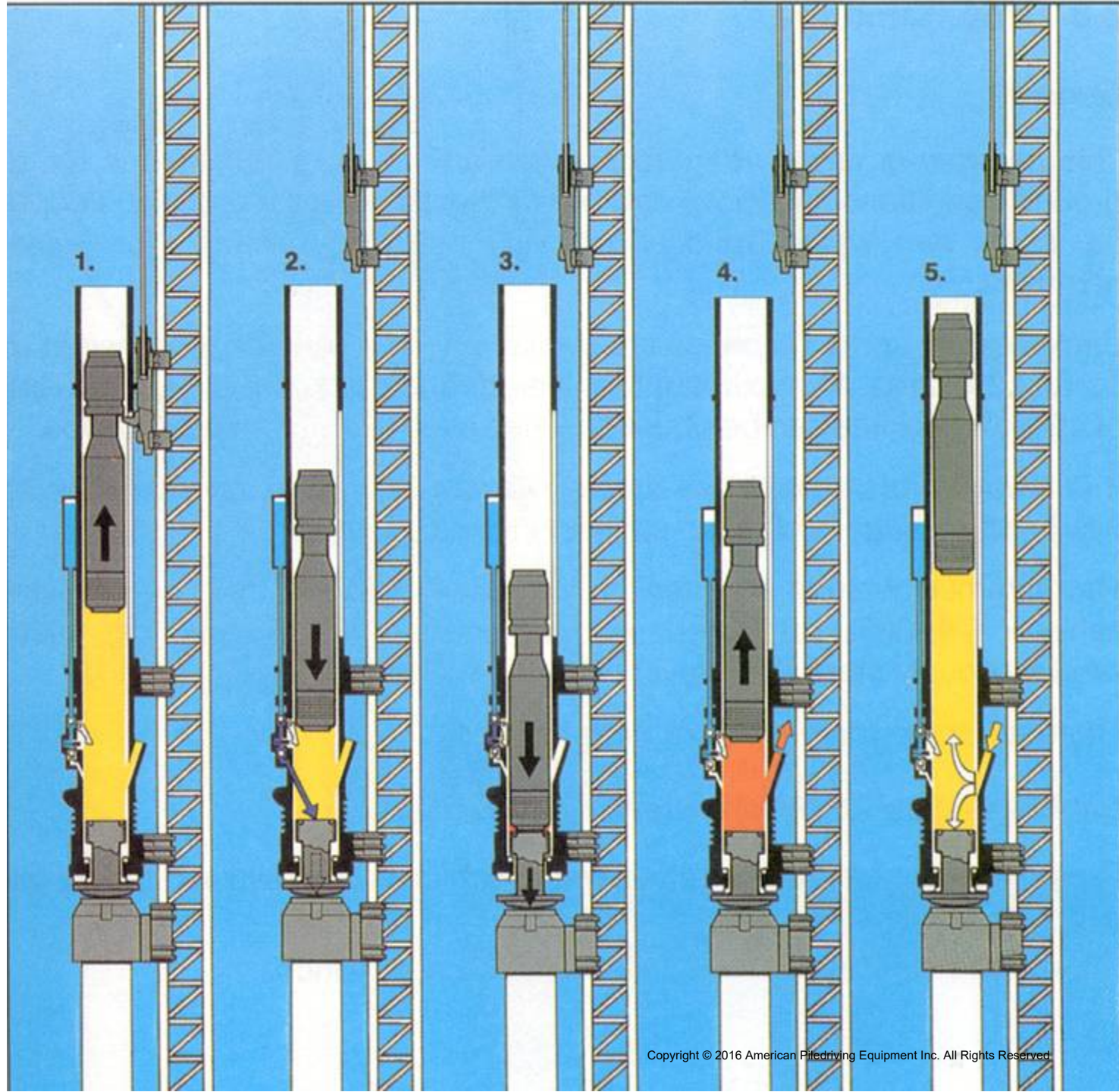
Oil pump

Fuel pump

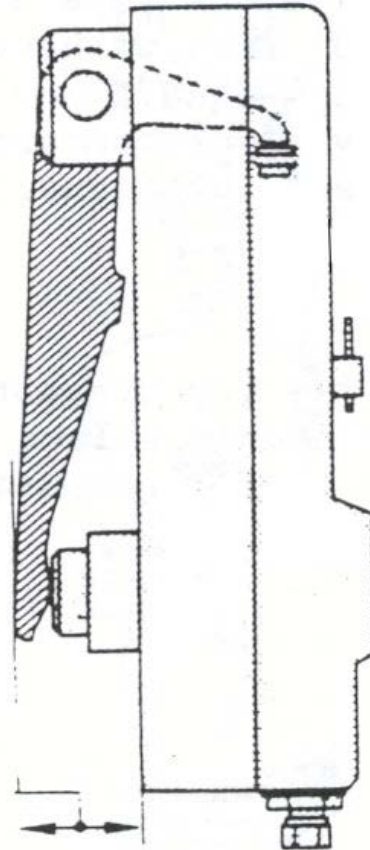
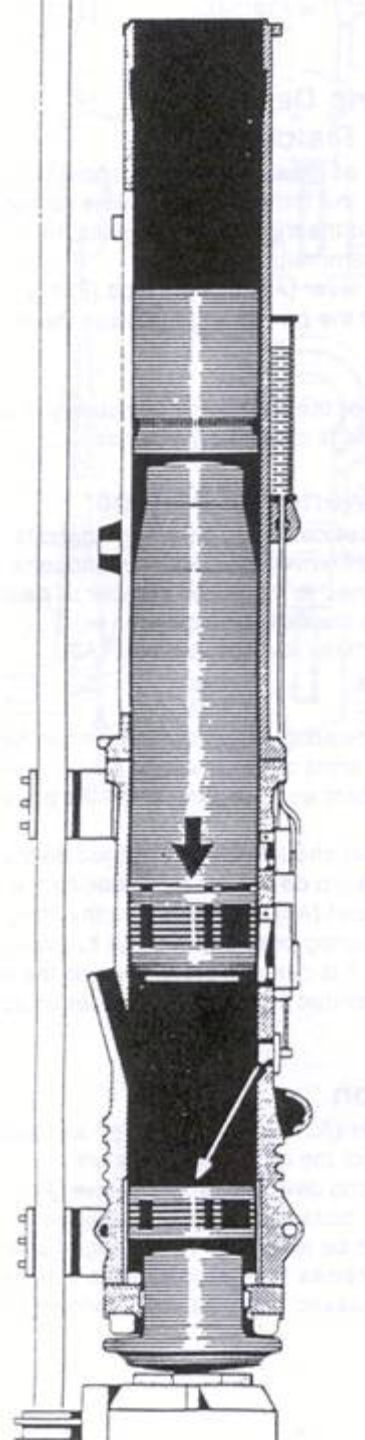
Injector

Lower piston

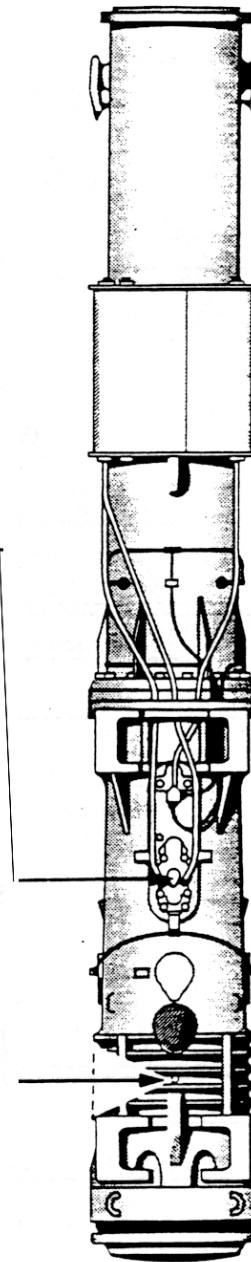
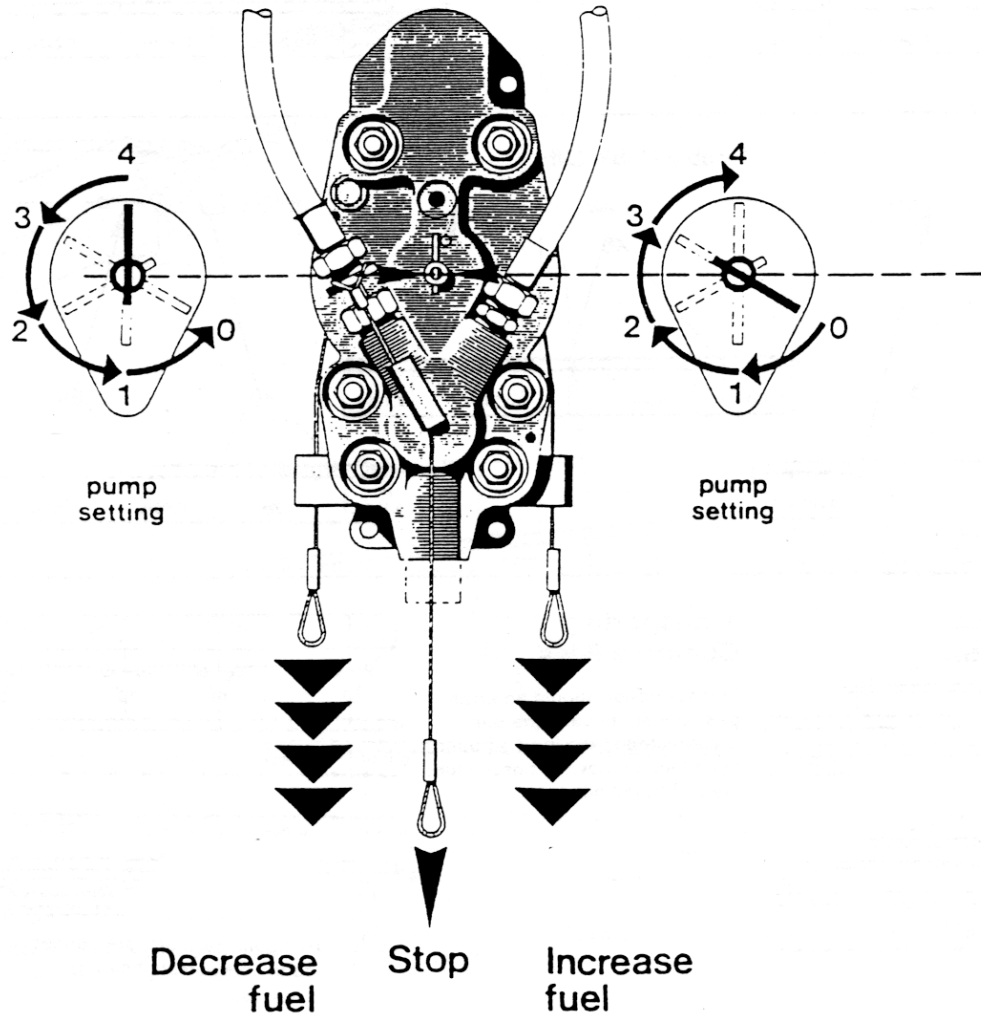
Strokes of Single acting diesel



Fuel Pump Operation

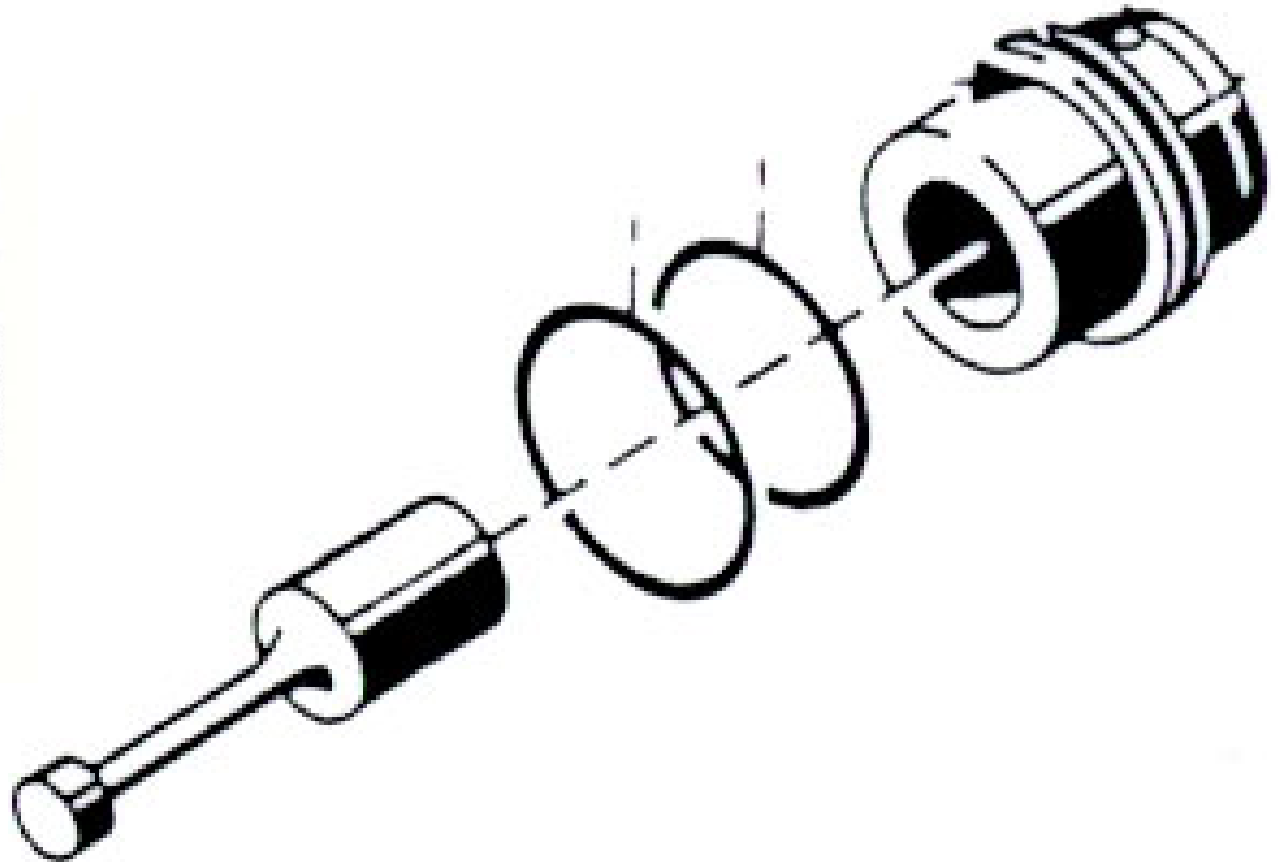
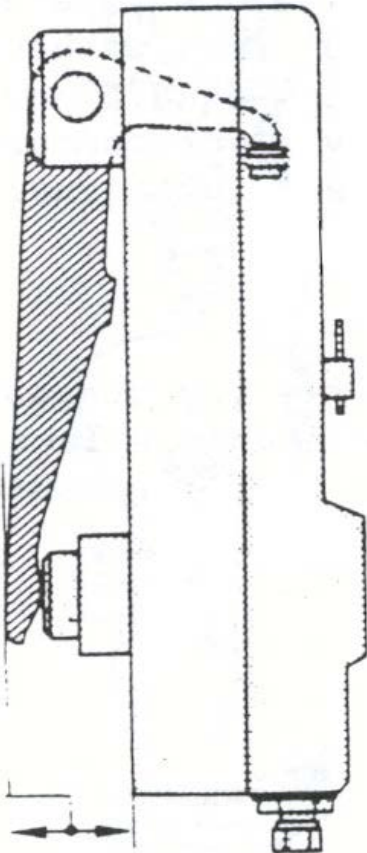


APE/Delmag Fuel Pump



Note: To double stroke the fuel pump you must be on full throttle and then jerk the right hand rope after piston passes fuel pump lever on upper stroke.

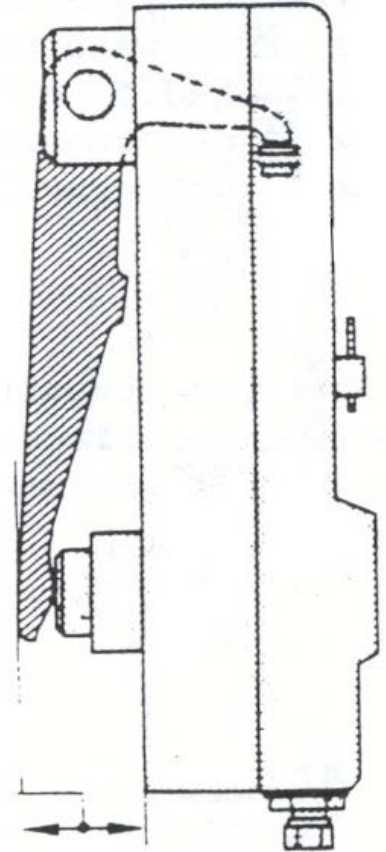
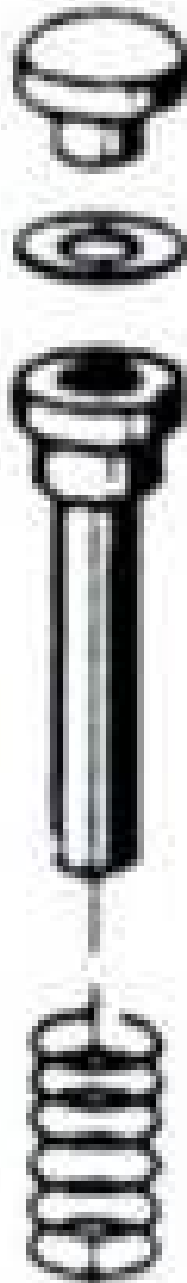
Fuel Pump element

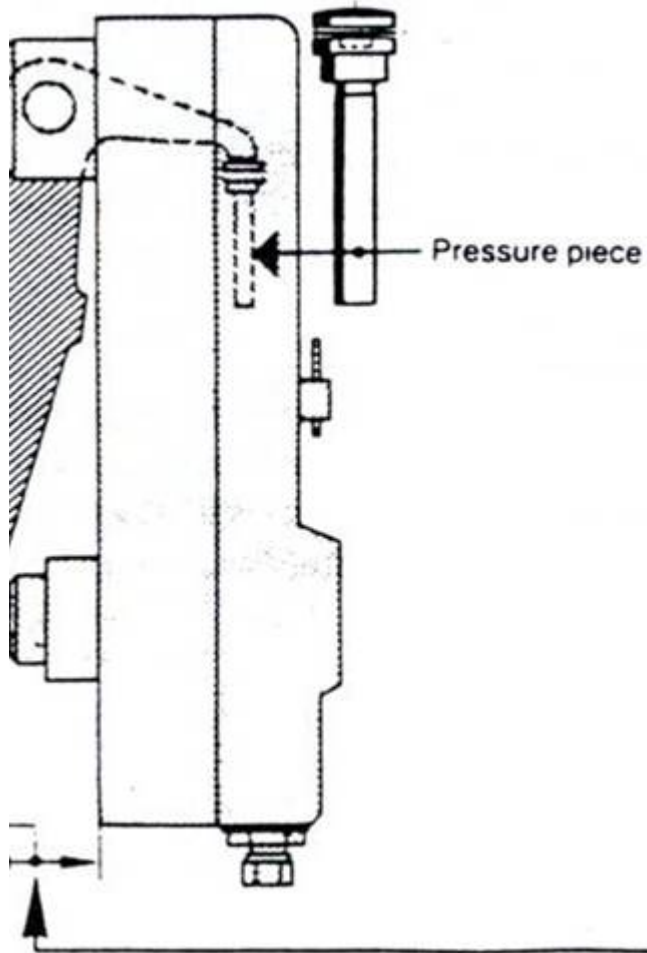


Pressure Piece

Wear Item that can change stroke and fuel setting.

Know your dimensions.





Measure the check dimension at full-load (control stage 4).
If there is any deviation from the specified value, fit thinner shim(s)
between pressure piece and mushroom.

There are four shim sizes available which change the distance between
the pump lever and pump seating face by the following values:

Order No. 97332, 0.3 thick – 0.75 mm

Order No. 97348, 0.4 thick – 1.0 mm

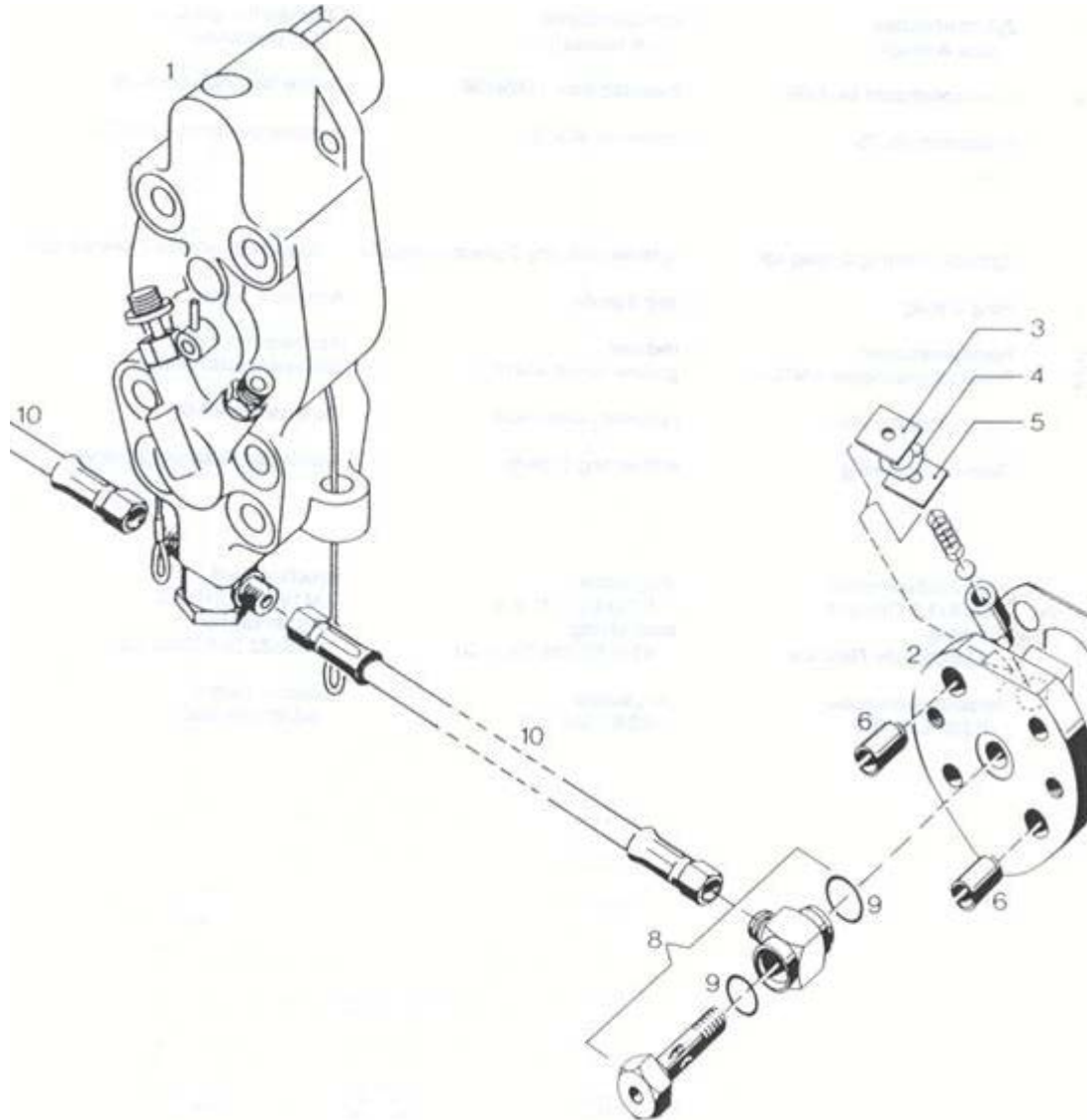
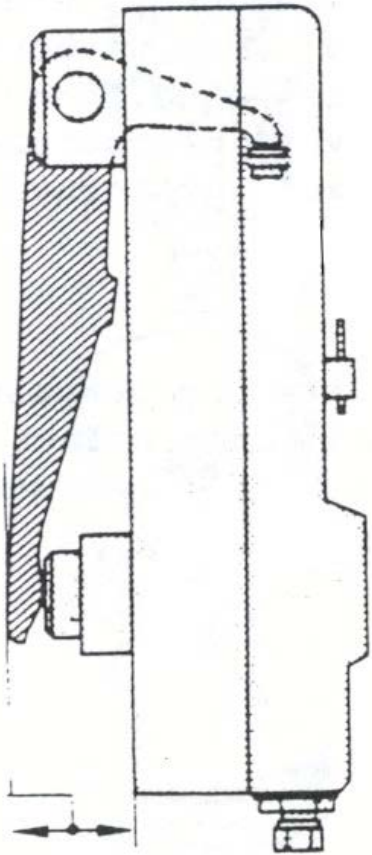
Order No. 97333, 0.5 thick – 1.25 mm

Order No. 97334, 0.6 thick – 1.5 mm

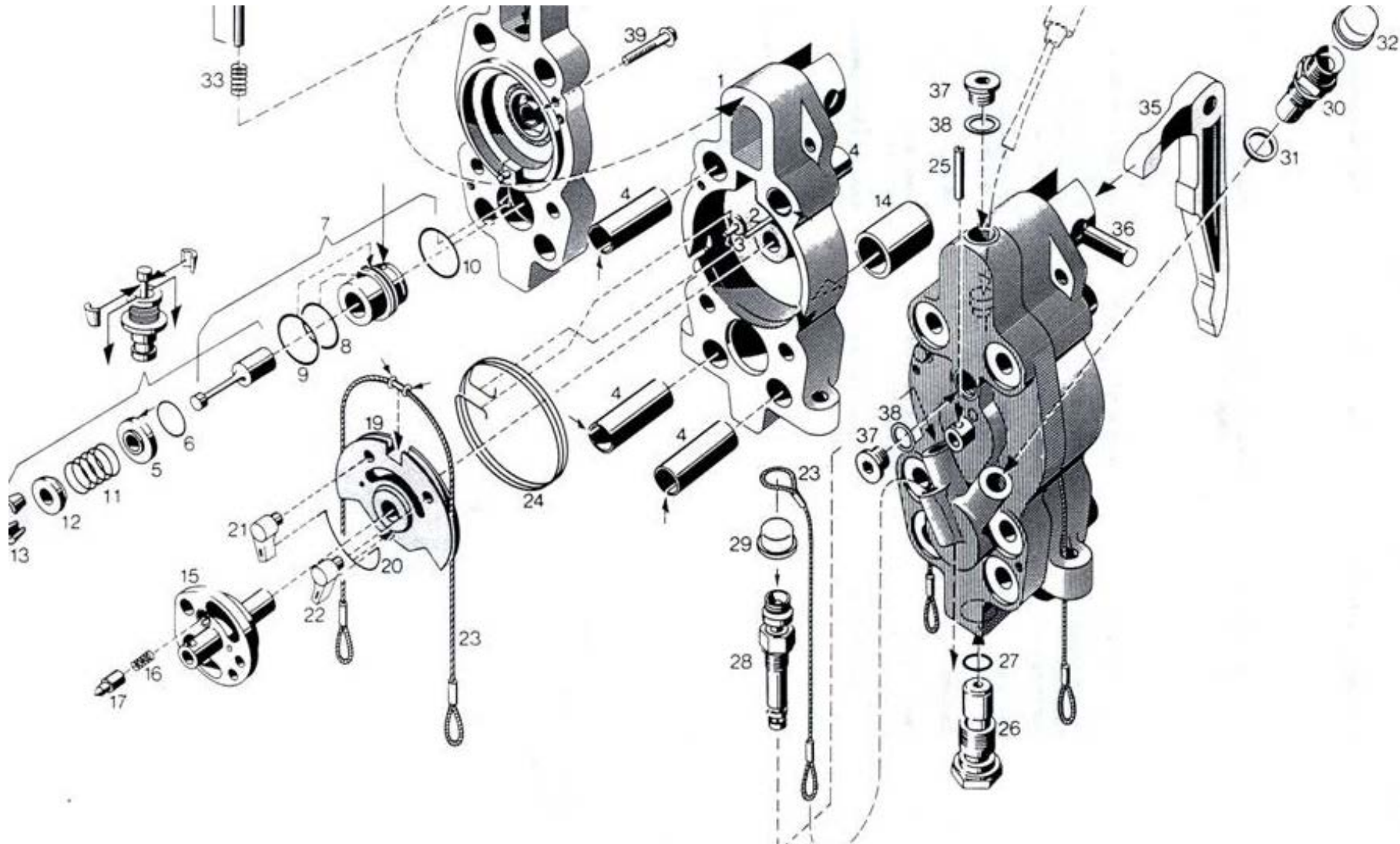
The limit of adjustment is reached when no more shims can be accor
dated.

How to check dimensions

Fuel Pump & Injector



Fuel Pump Exploded View



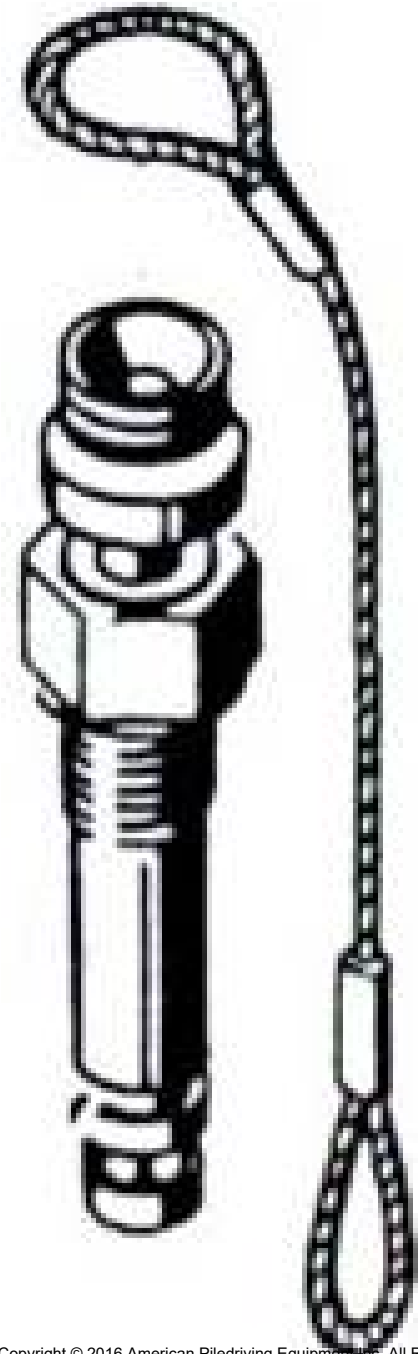
Stop Valve

Main Check Valve of pump

Gets bent

O-ring melts

Always have a back up of this part





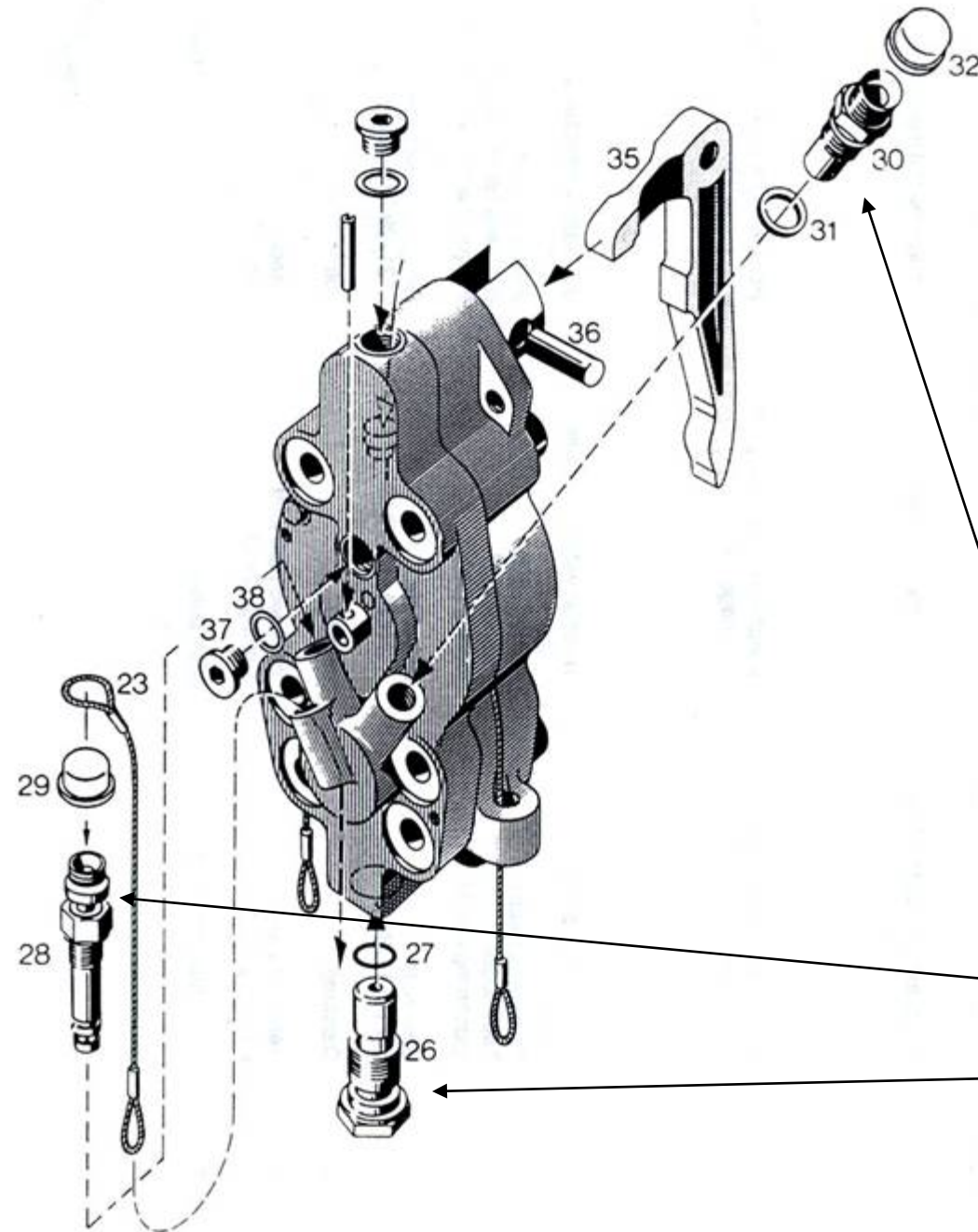
Stop Valve

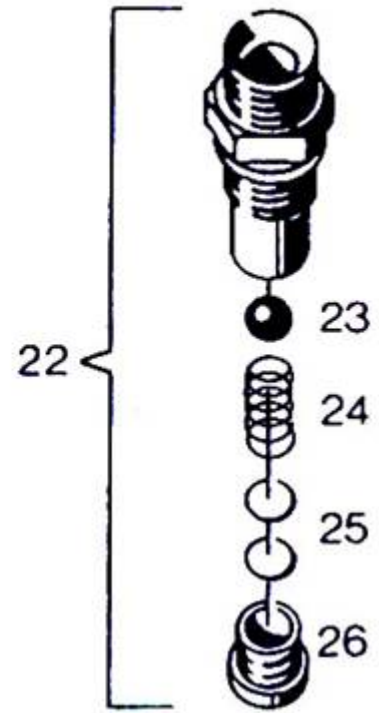
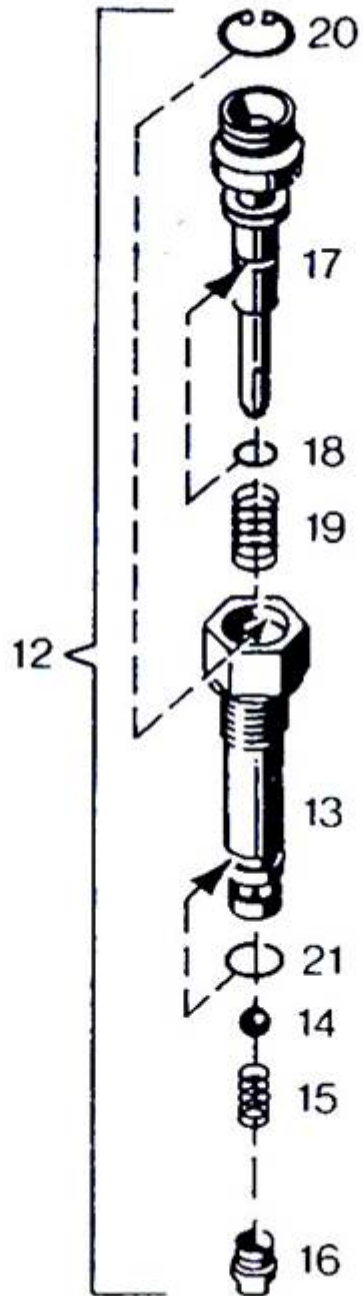
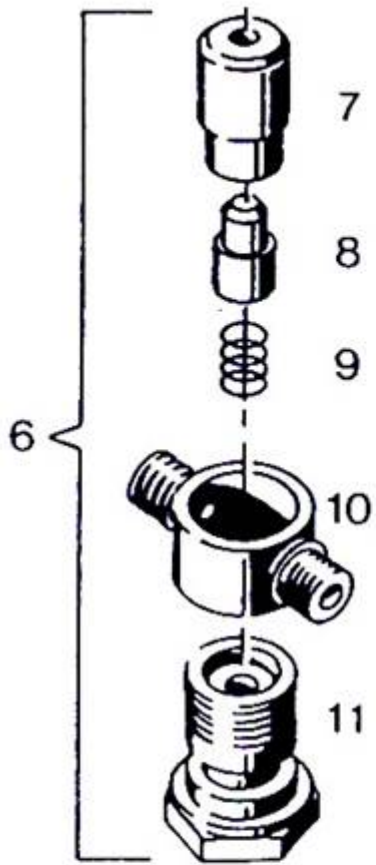
Three Check Valves you need to know

Return Valve

Stop Valve

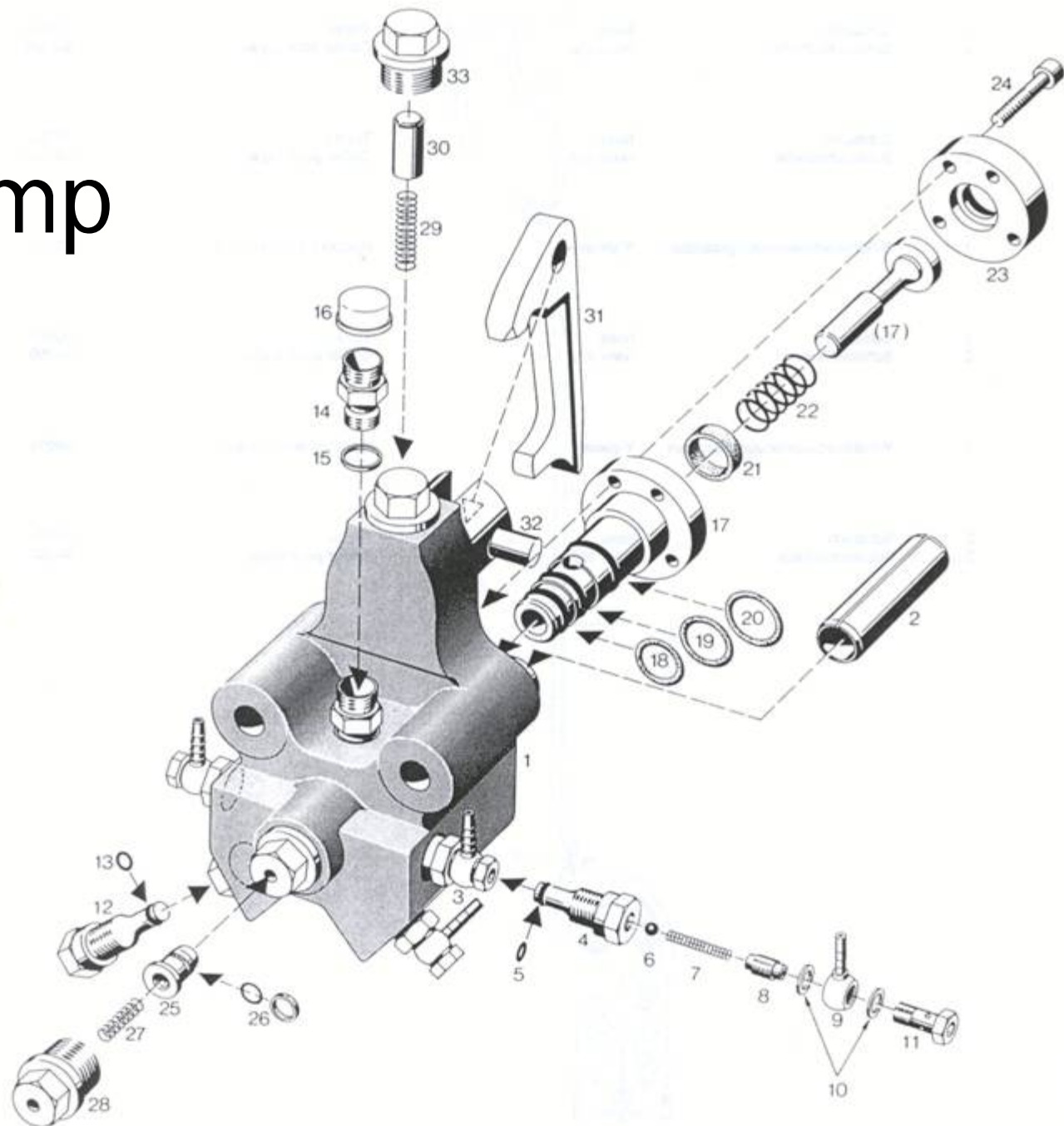
Non return valve



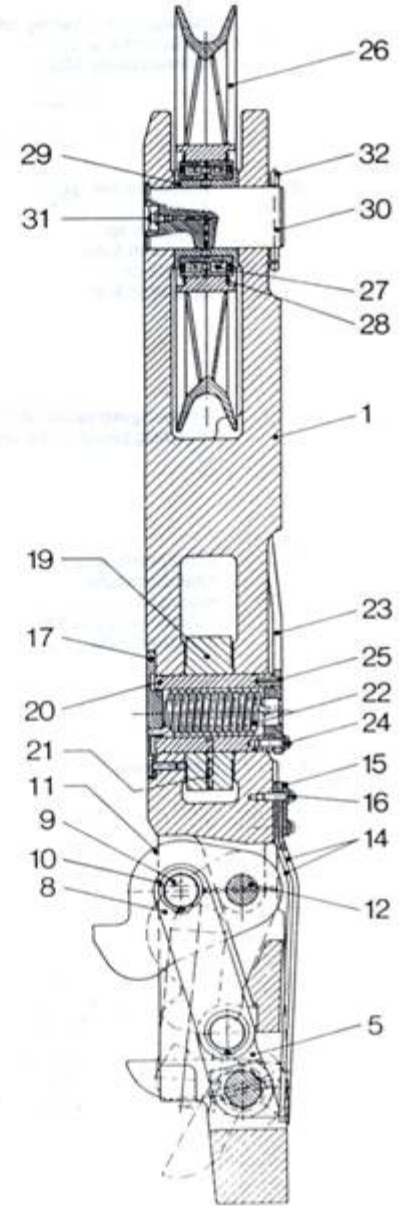
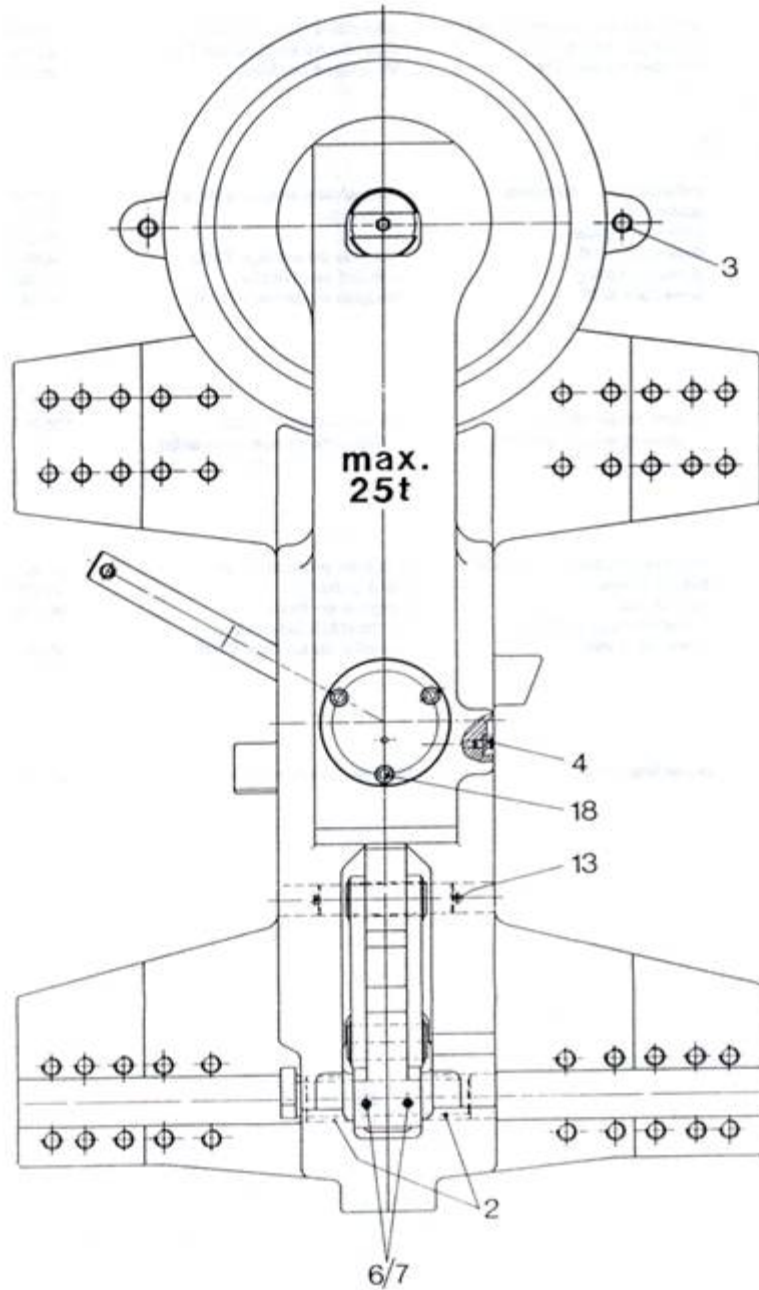


Fuel Pump checks

Lube Pump



Trip

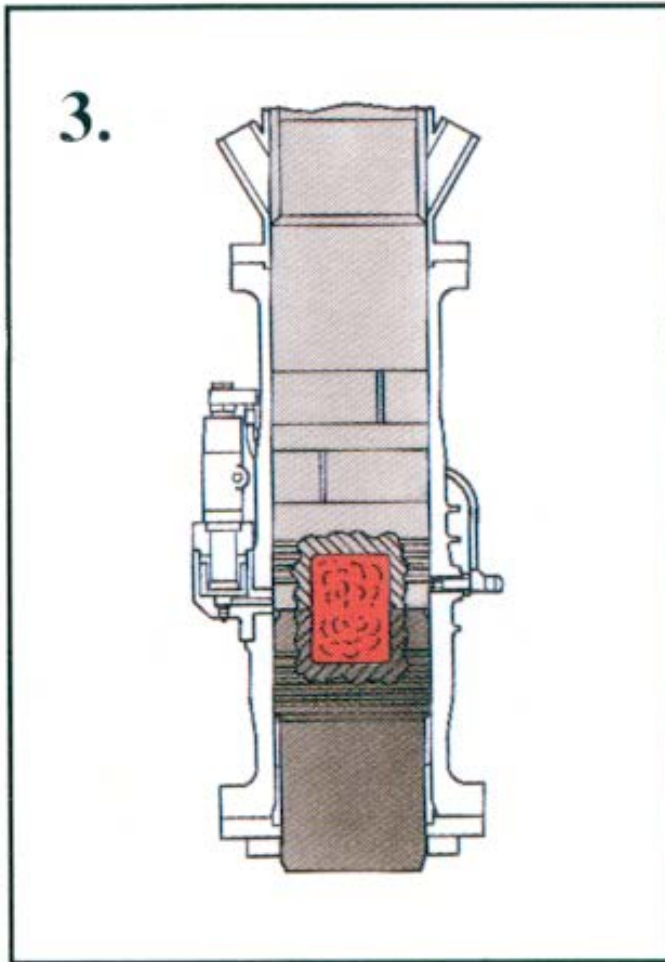




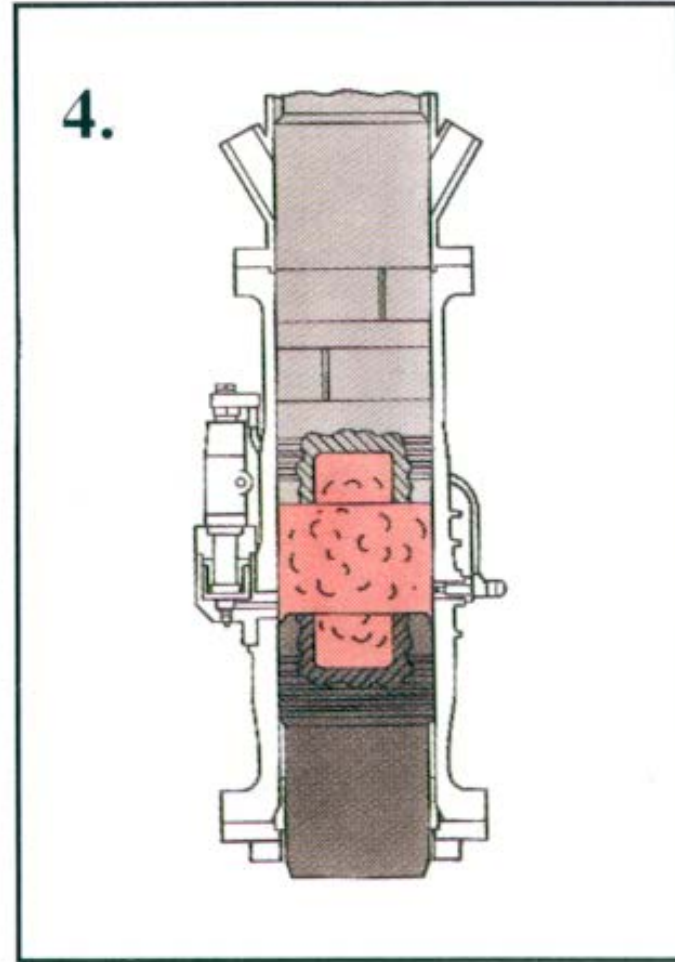
APE Variable Fuel Pump

Atomization Prior To Impact

Operation cycle

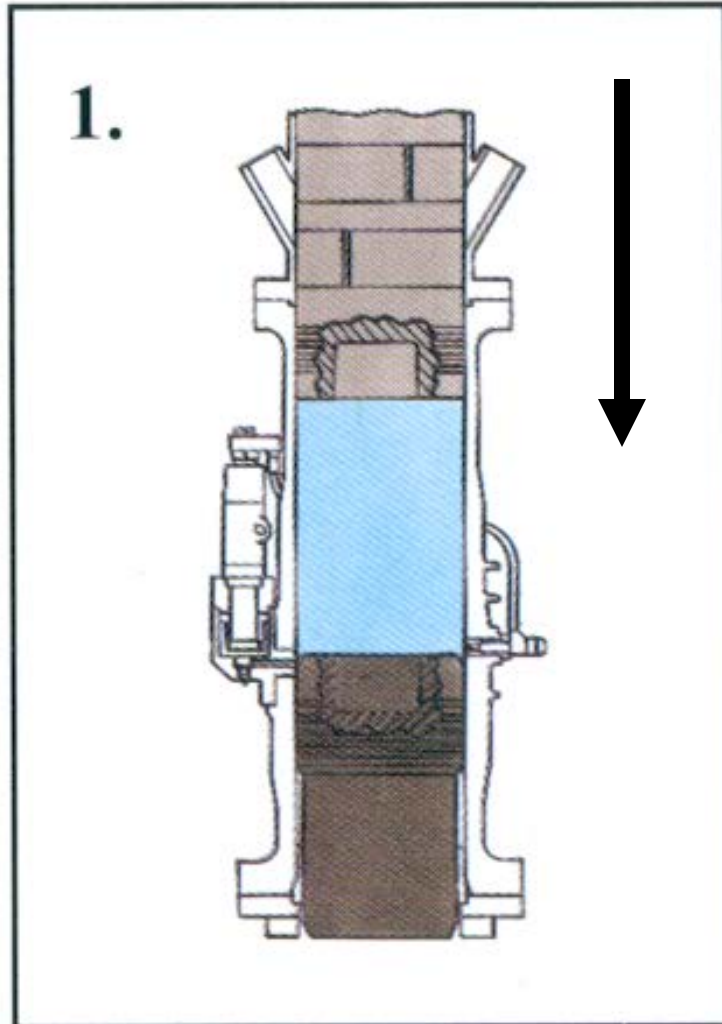


Ignition

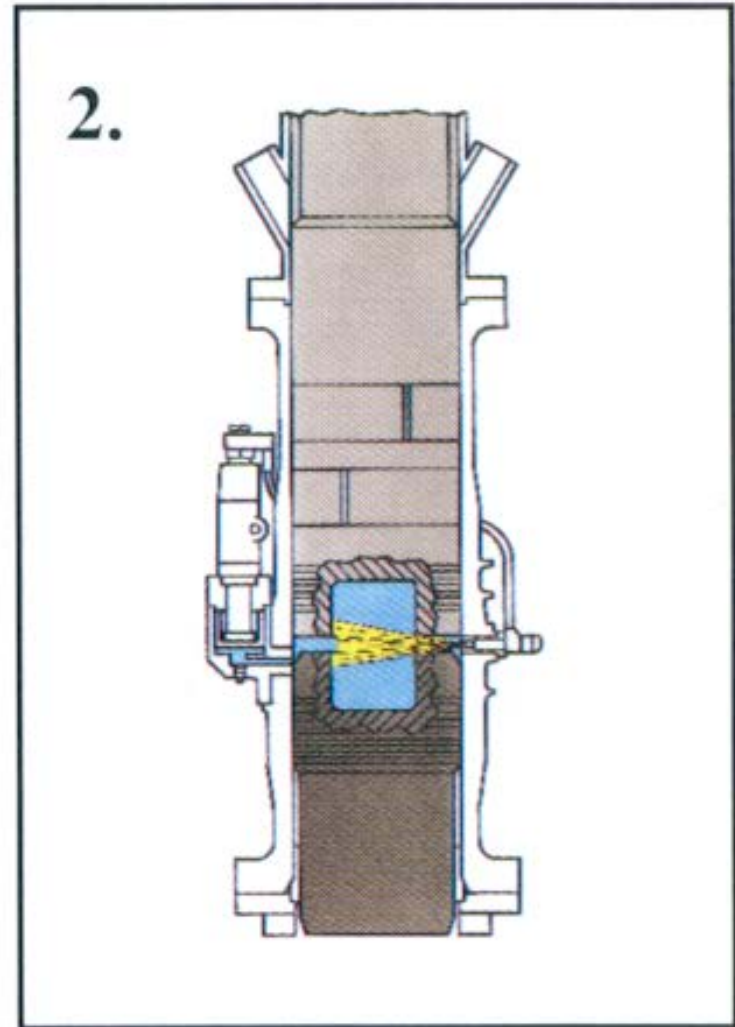


Exhaust

Operational Cycle

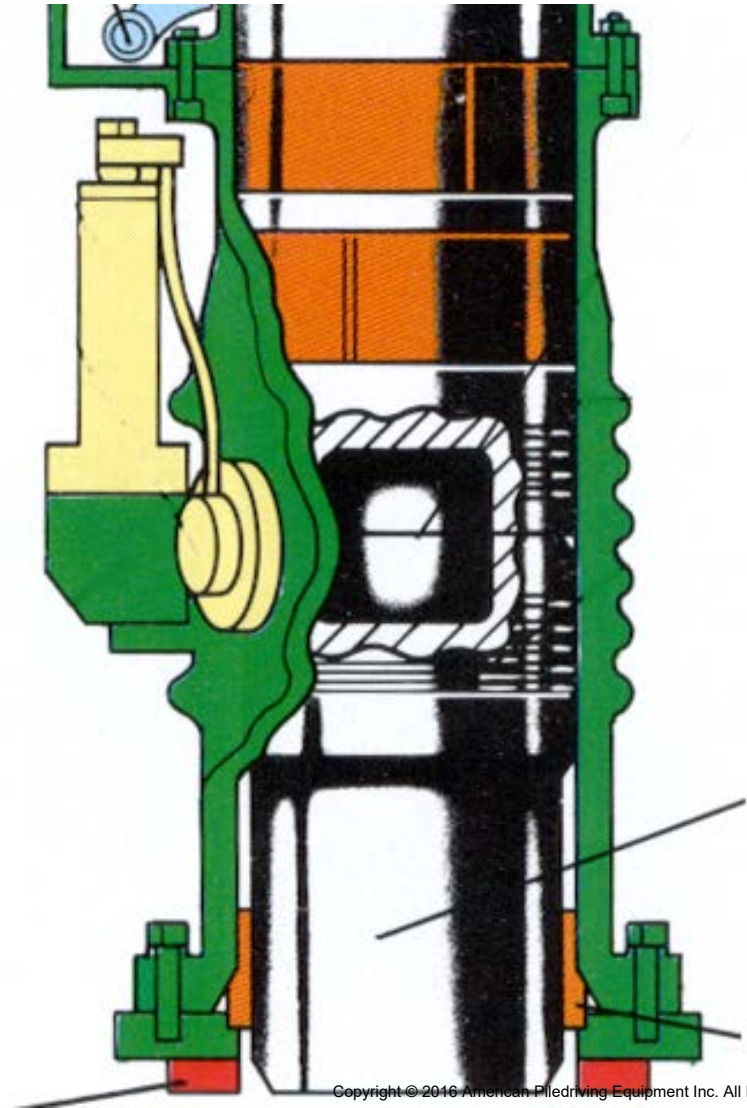
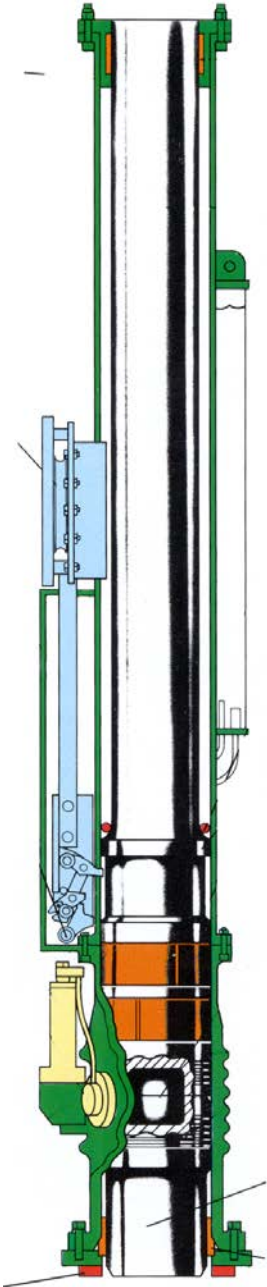


Compression

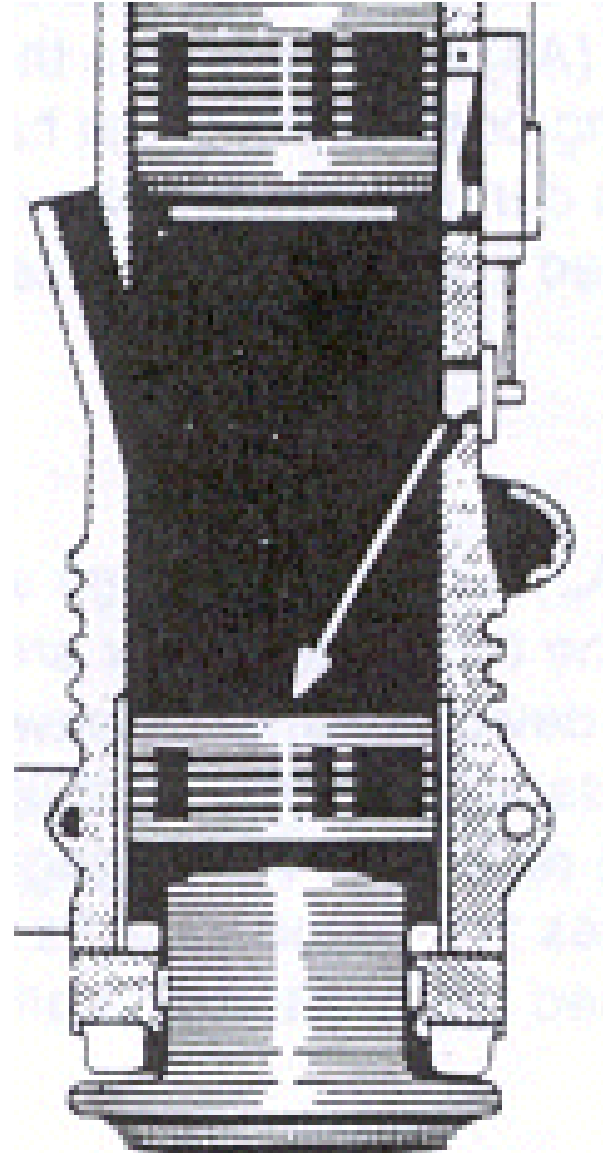
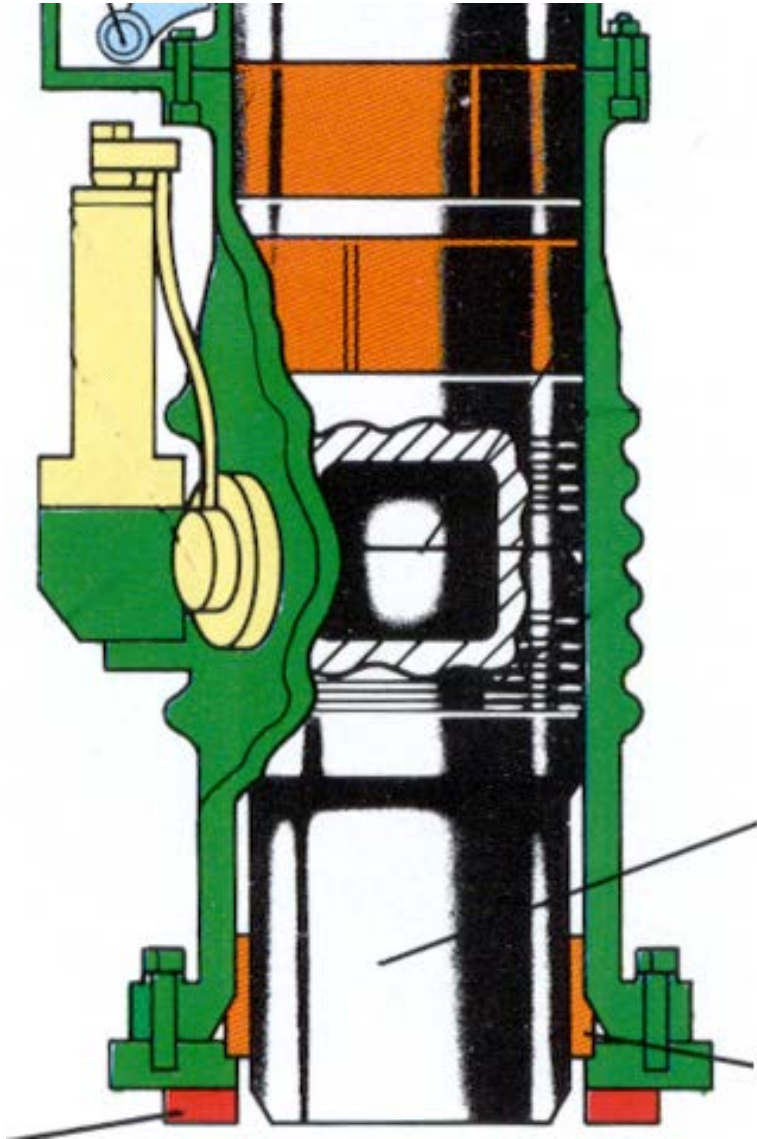


Injection of fuel

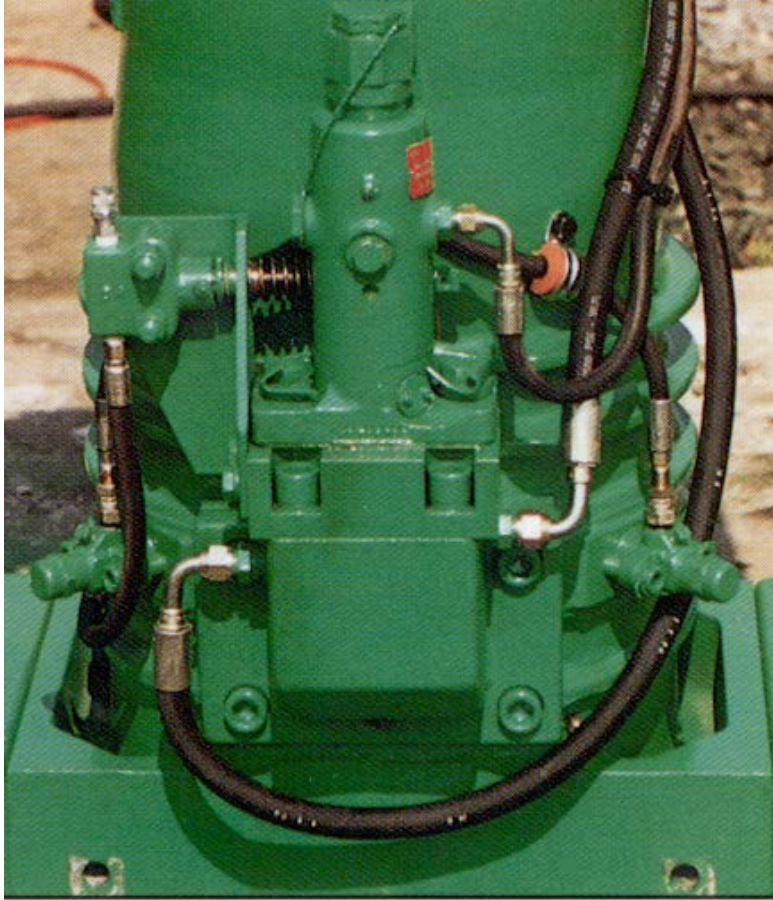
ICE & Berminghammer



Side by Side Comparison



ICE



Delmag/APE

